

1

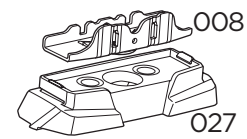
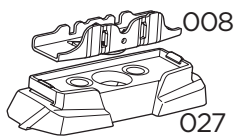
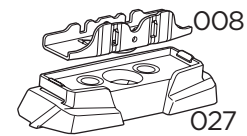
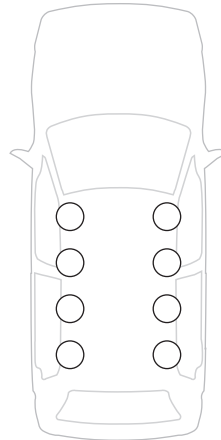
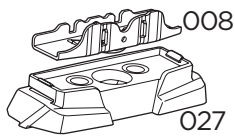
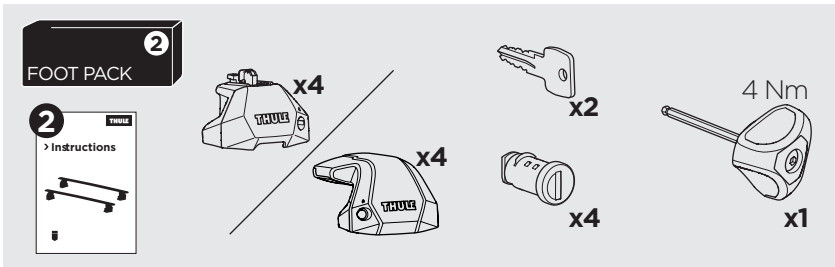
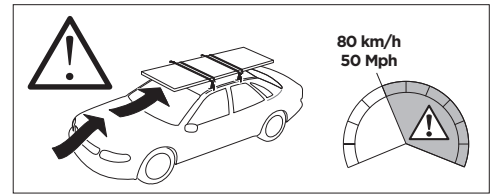
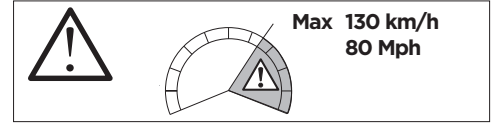
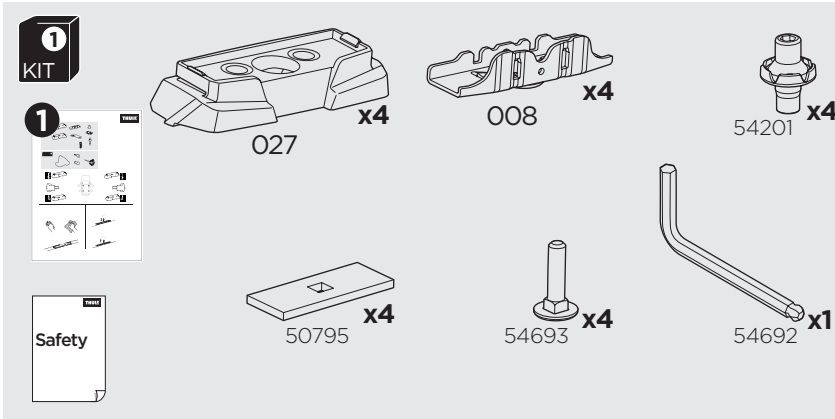
Kit 187025

LAND ROVER Discovery (Mk.IV), 5-dr SUV, 09-17

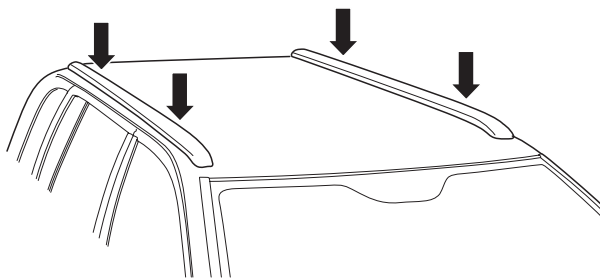


ISO 11154-E

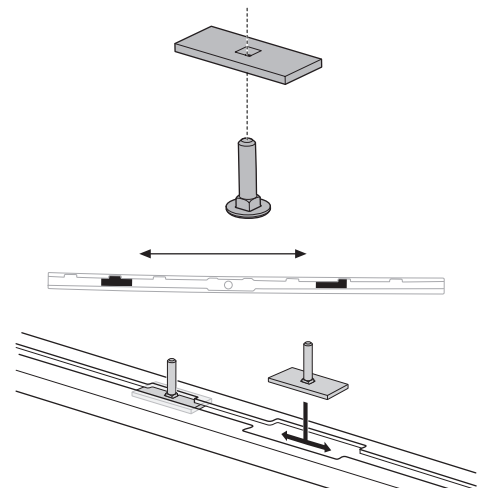
This kit is only for vehicles with fixpoint mounting.



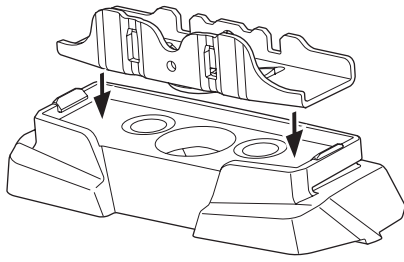
1



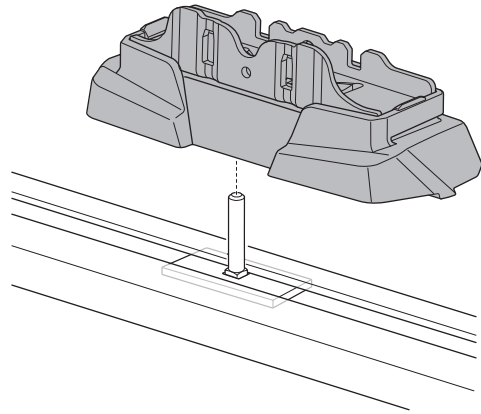
2



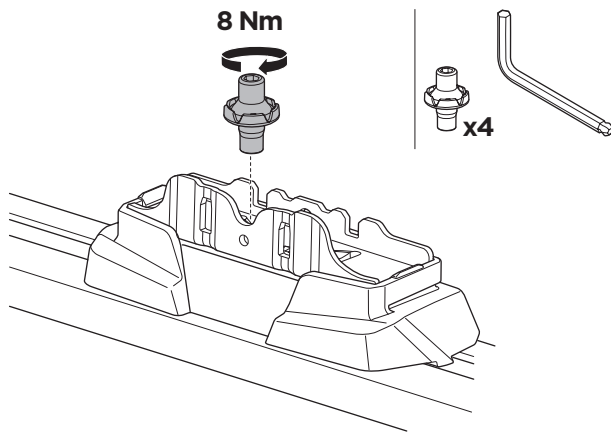
3



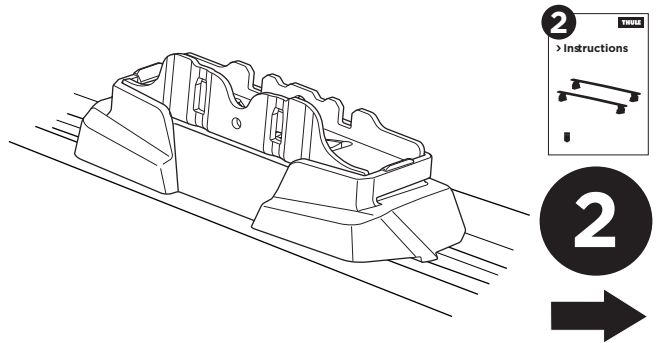
4



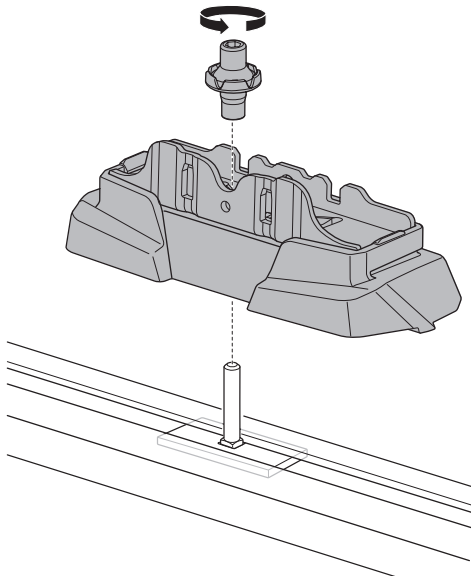
5



6



A



B

