

1

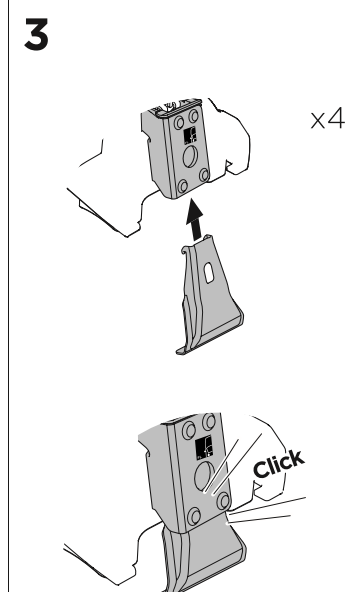
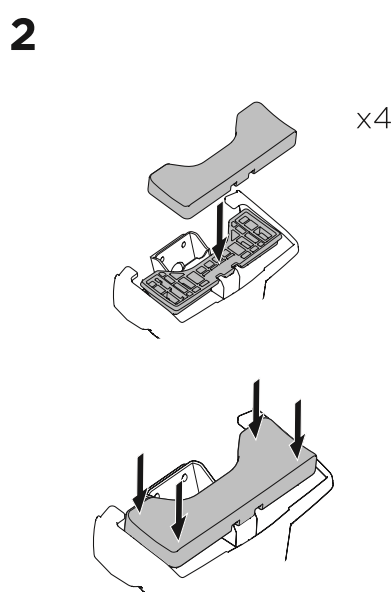
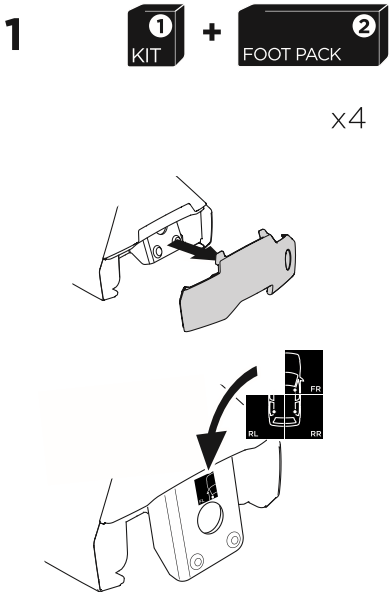
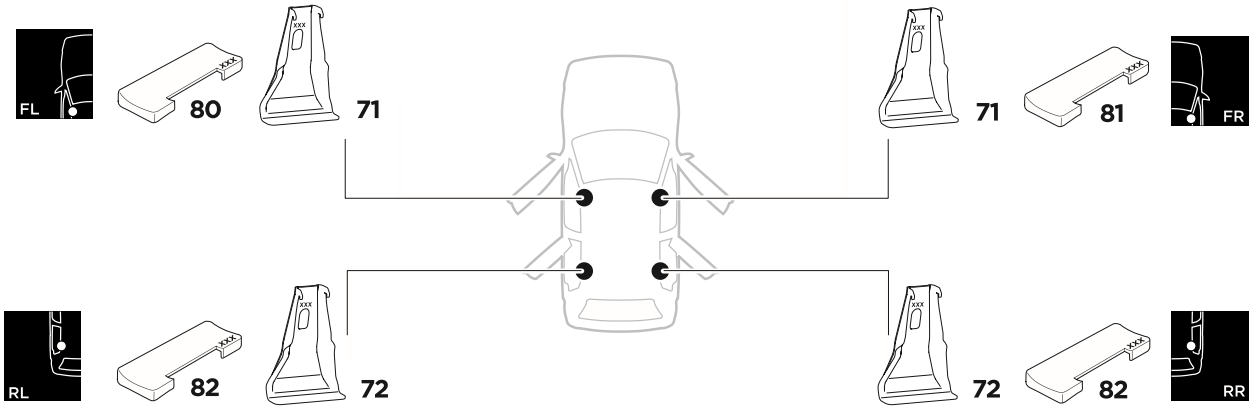
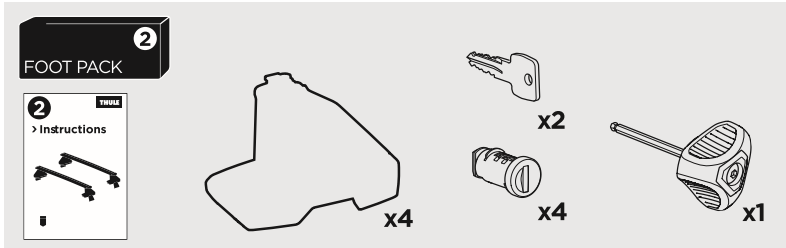
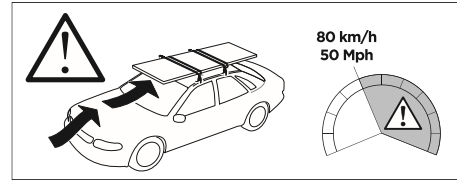
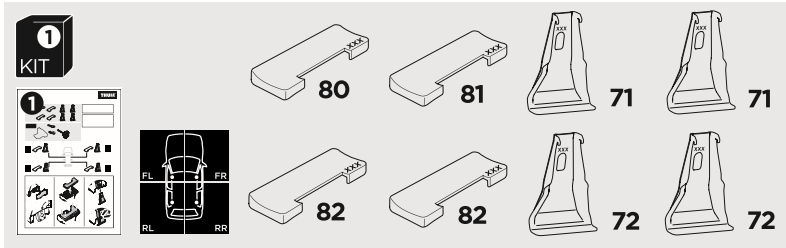
Kit 5001

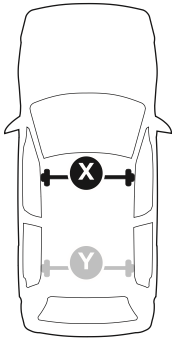
TOYOTA Prius, 5-dr Hatchback, 09-15 / *10-15

*North America



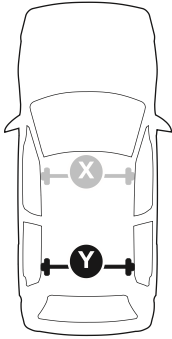
ISO 11154-E





THULE WingBar Evo	THULE WingBar Edge	THULE WingBar	THULE SquareBar	Evo X (scale)	Edge X (scale)
TOYOTA Prius, 5-dr Hatchback, 09-15 / *10-15				40	Q

THULE ProBar	THULE SlideBar	X (mm/inch)		
TOYOTA Prius, 5-dr Hatchback, 09-15 / *10-15		1051 mm / 41 3/8"		



THULE WingBar Evo	THULE WingBar Edge	THULE WingBar	THULE SquareBar	Evo Y (scale)	Edge Y (scale)
TOYOTA Prius, 5-dr Hatchback, 09-15 / *10-15				35,5	H

THULE ProBar	THULE SlideBar	Y (mm/inch)		
TOYOTA Prius, 5-dr Hatchback, 09-15 / *10-15		1006 mm / 39 5/8"		

	W (mm/inch)	Z (mm/inch)
TOYOTA Prius, 5-dr Hatchback, 09-15 / *10-15	720 mm / 27 1/2"	250 mm / 9 7/8"

