

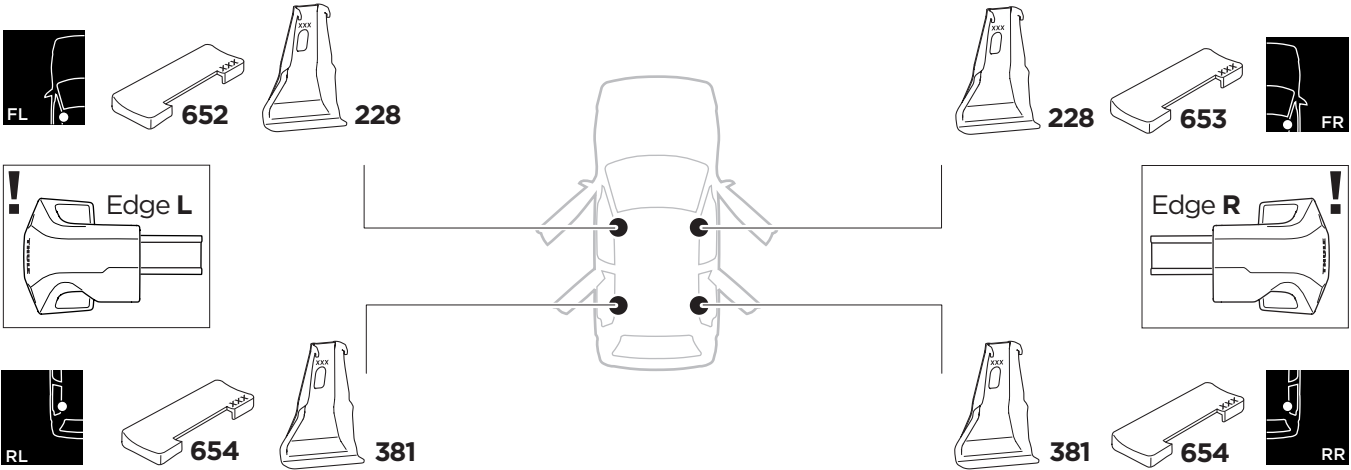
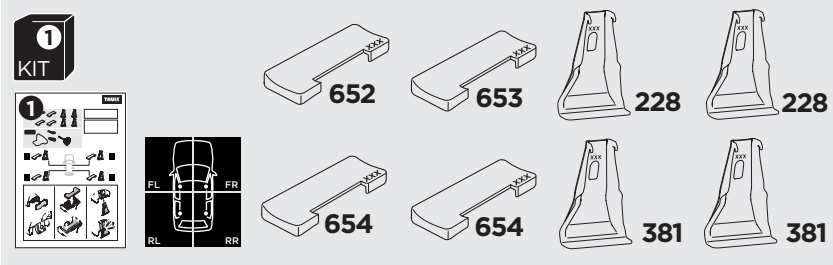
# 1

## Kit 145204

VOLKSWAGEN Jetta, 4-dr Sedan, 19-



ISO 11154-E





|  |                    |               |                 |                          |                       |
|--|--------------------|---------------|-----------------|--------------------------|-----------------------|
| THULE WingBar Evo                        | THULE WingBar Edge | THULE WingBar | THULE SquareBar | <b>Evo X (scale)</b>     | <b>Edge X (scale)</b> |
| <b>VOLKSWAGEN Jetta, 4-dr Sedan, 19-</b> |                    |               |                 | <b>40</b>                | <b>Q</b>              |
| THULE ProBar                             | THULE SlideBar     |               |                 |                          | <b>X (mm/inch)</b>    |
| <b>VOLKSWAGEN Jetta, 4-dr Sedan, 19-</b> |                    |               |                 | <b>1051 mm / 41 3/8"</b> |                       |



|  |                    |               |                 |                          |                       |
|--|--------------------|---------------|-----------------|--------------------------|-----------------------|
| THULE WingBar Evo                        | THULE WingBar Edge | THULE WingBar | THULE SquareBar | <b>Evo Y (scale)</b>     | <b>Edge Y (scale)</b> |
| <b>VOLKSWAGEN Jetta, 4-dr Sedan, 19-</b> |                    |               |                 | <b>37</b>                | <b>E</b>              |
| THULE ProBar                             | THULE SlideBar     |               |                 |                          | <b>Y (mm/inch)</b>    |
| <b>VOLKSWAGEN Jetta, 4-dr Sedan, 19-</b> |                    |               |                 | <b>1021 mm / 40 1/4"</b> |                       |

|  |                         |                         |
|--|-------------------------|-------------------------|
|  | <b>W (mm/inch)</b>      | <b>Z (mm/inch)</b>      |
| <b>VOLKSWAGEN Jetta, 4-dr Sedan, 19-</b> | <b>720 mm / 28 3/8"</b> | <b>275 mm / 10 7/8"</b> |

