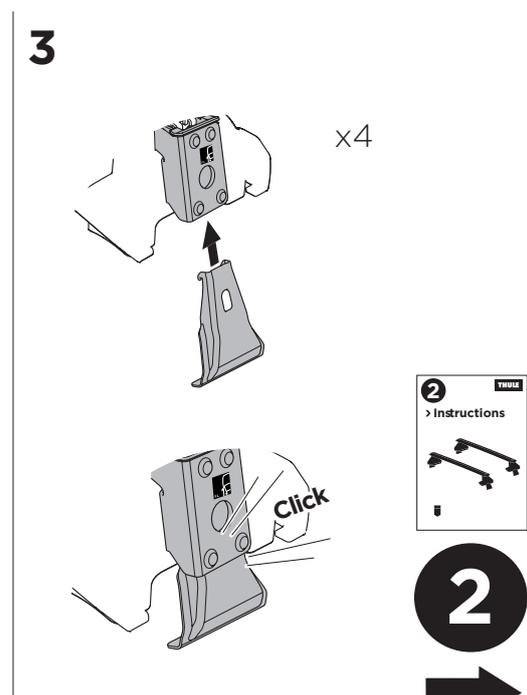
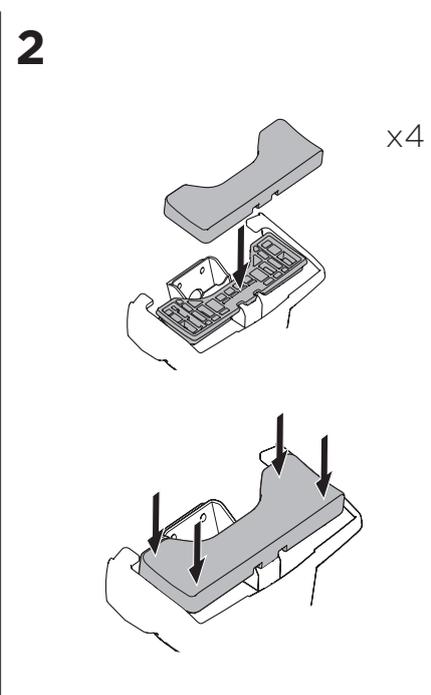
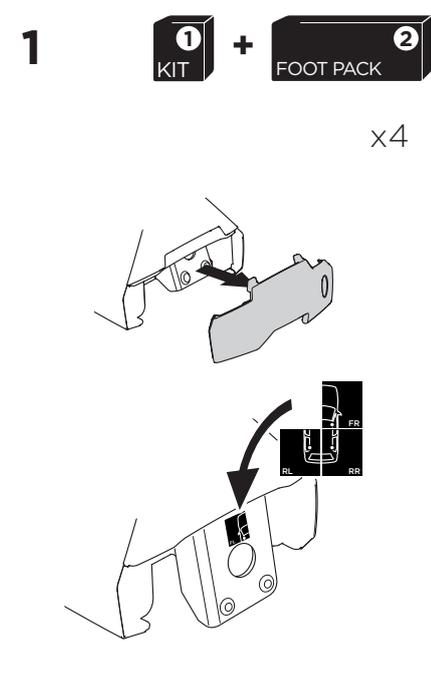
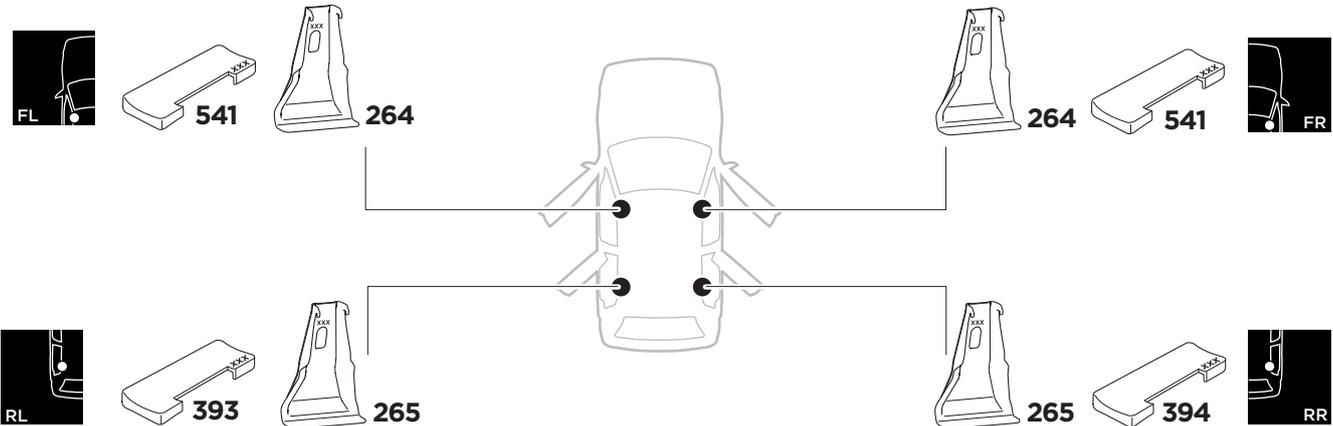
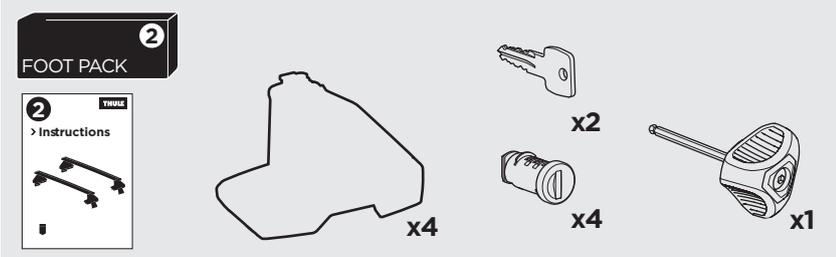
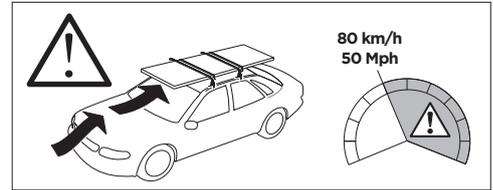
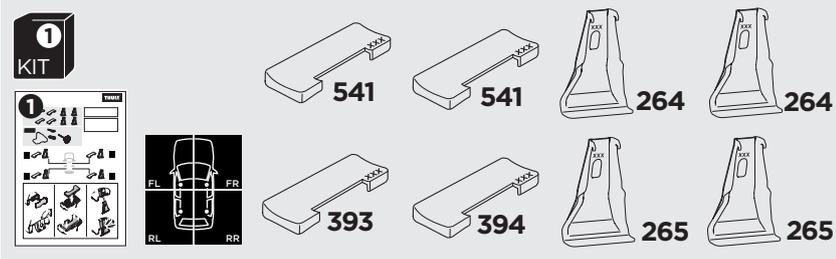


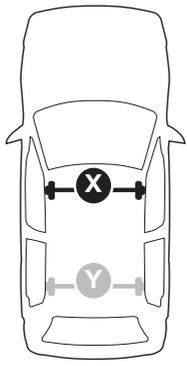
# 1

## Kit 5128

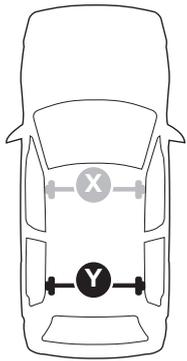
SKODA Superb, 4-dr Sedan, 08-15

ISO 11154-E





|  |                    |               |                 |                          |                       |
|--|--------------------|---------------|-----------------|--------------------------|-----------------------|
| THULE WingBar Evo                      | THULE WingBar Edge | THULE WingBar | THULE SquareBar | <b>Evo X (scale)</b>     | <b>Edge X (scale)</b> |
| <b>SKODA Superb, 4-dr Sedan, 08-15</b> |                    |               |                 | <b>42,5</b>              | <b>L</b>              |
| THULE ProBar                           | THULE SlideBar     |               |                 |                          | <b>X (mm/inch)</b>    |
| <b>SKODA Superb, 4-dr Sedan, 08-15</b> |                    |               |                 | <b>1076 mm / 42 3/8"</b> |                       |



|  |                    |               |                 |                          |                       |
|--|--------------------|---------------|-----------------|--------------------------|-----------------------|
| THULE WingBar Evo                      | THULE WingBar Edge | THULE WingBar | THULE SquareBar | <b>Evo Y (scale)</b>     | <b>Edge Y (scale)</b> |
| <b>SKODA Superb, 4-dr Sedan, 08-15</b> |                    |               |                 | <b>38,5</b>              | <b>B</b>              |
| THULE ProBar                           | THULE SlideBar     |               |                 |                          | <b>Y (mm/inch)</b>    |
| <b>SKODA Superb, 4-dr Sedan, 08-15</b> |                    |               |                 | <b>1038 mm / 40 3/4"</b> |                       |

|  |                         |                     |
|--|-------------------------|---------------------|
|  | <b>W (mm/inch)</b>      | <b>Z (mm/inch)</b>  |
| <b>SKODA Superb, 4-dr Sedan, 08-15</b> | <b>820 mm / 32 1/4"</b> | <b>355 mm / 14"</b> |

