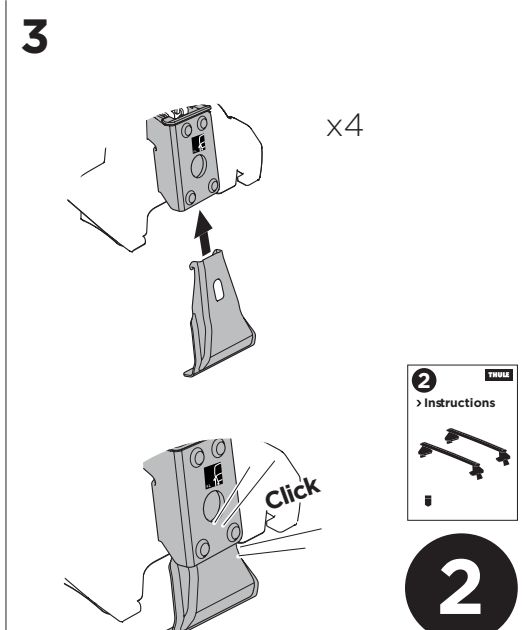
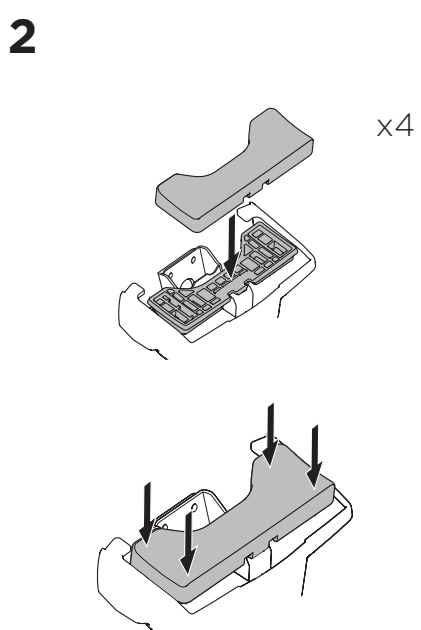
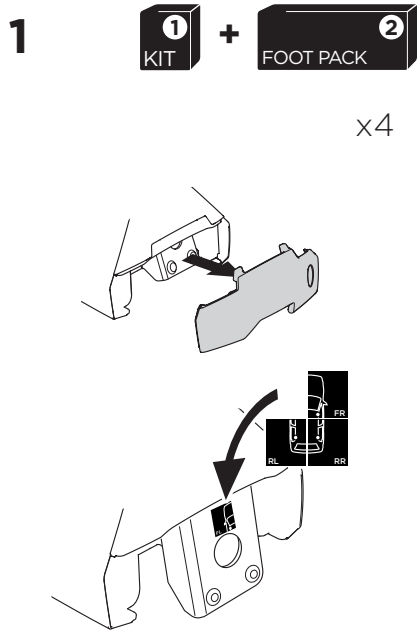
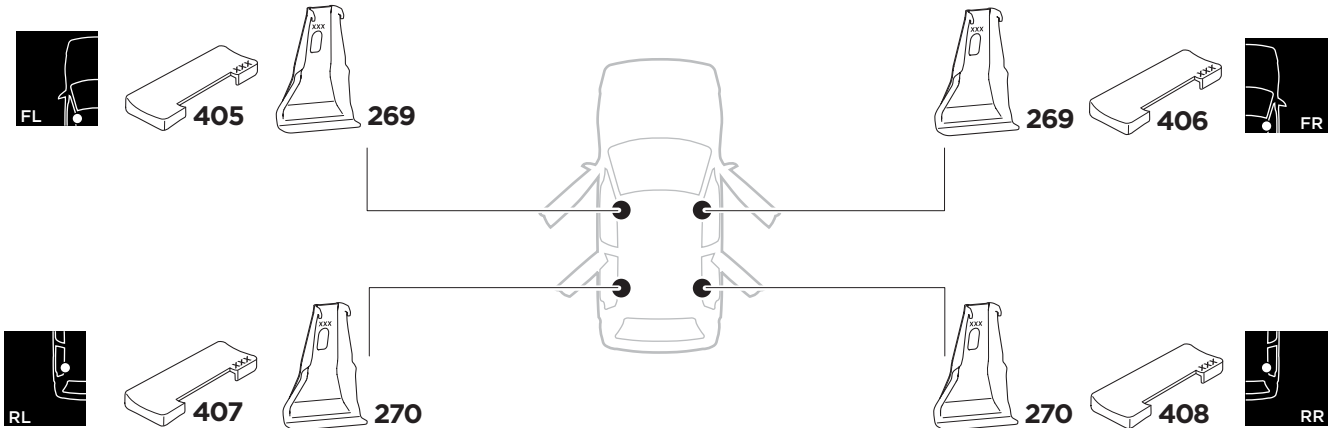
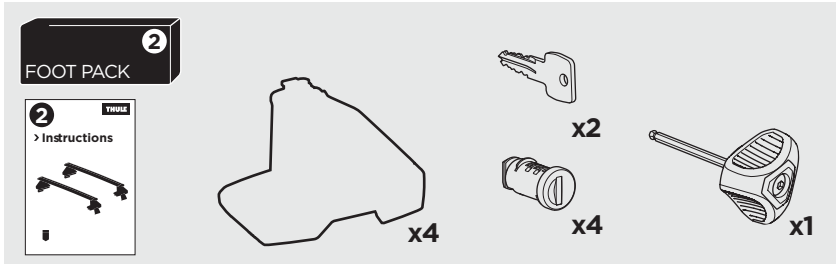
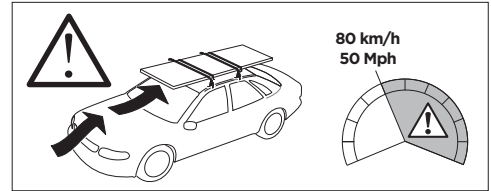
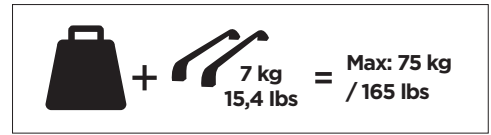
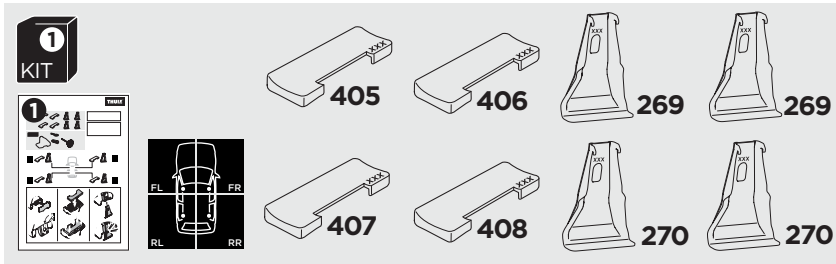
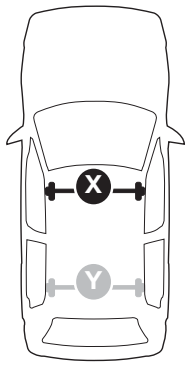


1

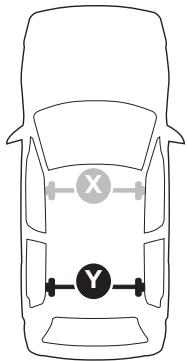
Kit 5104 NISSAN Altima, 4-dr Sedan, 13-

ISO 11154-E





THULE WingBar Evo	THULE WingBar Edge	THULE WingBar	THULE SquareBar	Evo X (scale)	Edge X (scale)
NISSAN Altima, 4-dr Sedan, 13-				42,5	L
THULE ProBar	THULE SlideBar				X (mm/inch)
NISSAN Altima, 4-dr Sedan, 13-				1076 mm / 42 ³ / ₈ "	



THULE WingBar Evo	THULE WingBar Edge	THULE WingBar	THULE SquareBar	Evo Y (scale)	Edge Y (scale)
NISSAN Altima, 4-dr Sedan, 13-				38,5	B
THULE ProBar	THULE SlideBar				Y (mm/inch)
NISSAN Altima, 4-dr Sedan, 13-				1036 mm / 40 ³ / ₄ "	

	W (mm/inch)	Z (mm/inch)
NISSAN Altima, 4-dr Sedan, 13-	650 mm / 25 ⁵ / ₈ "	265 mm / 10 ³ / ₈ "

