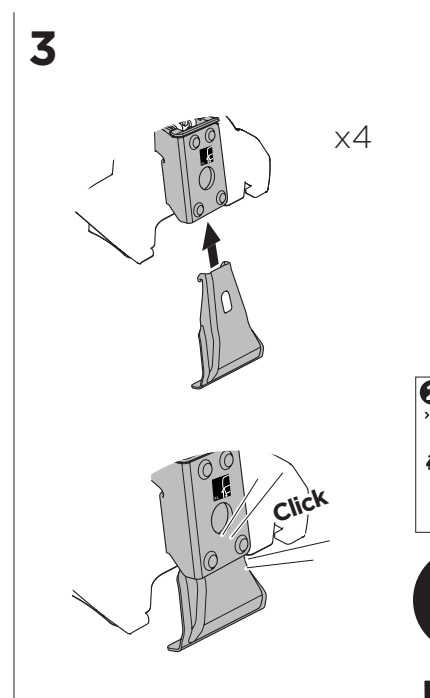
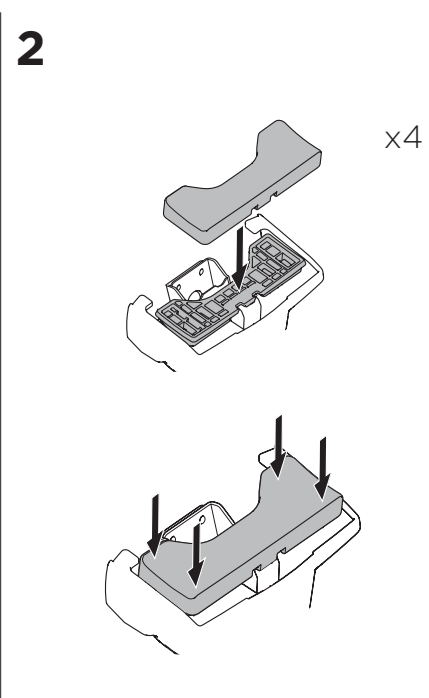
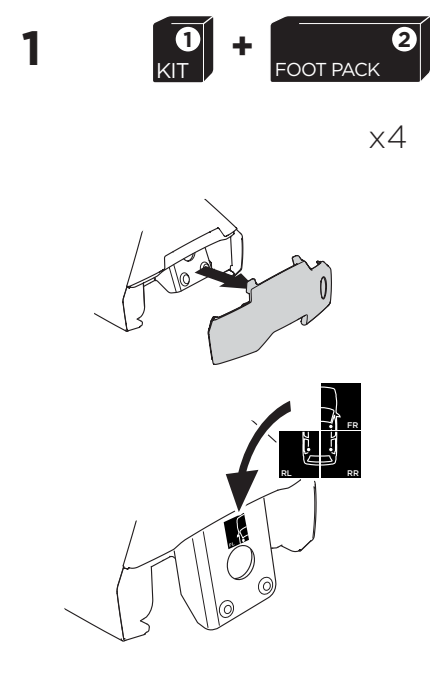
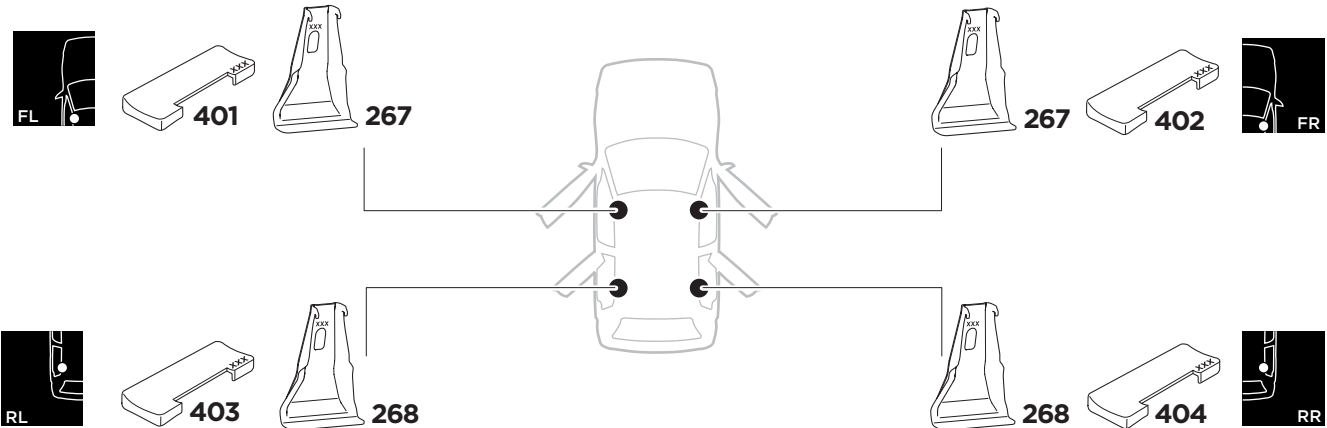
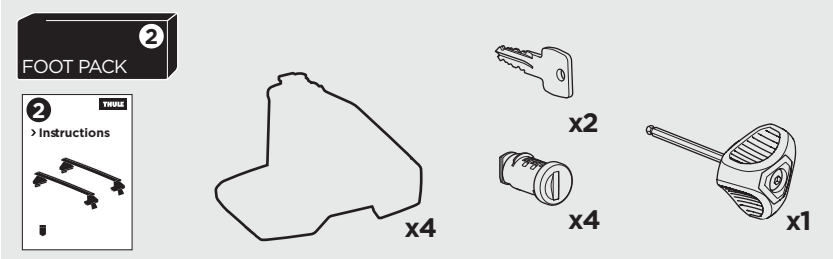
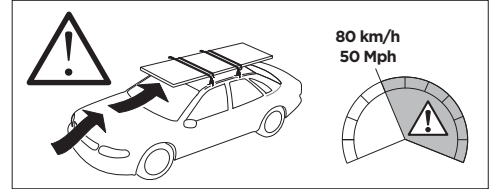
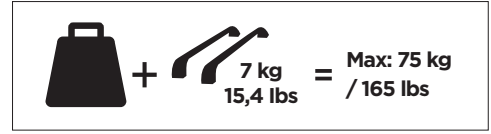
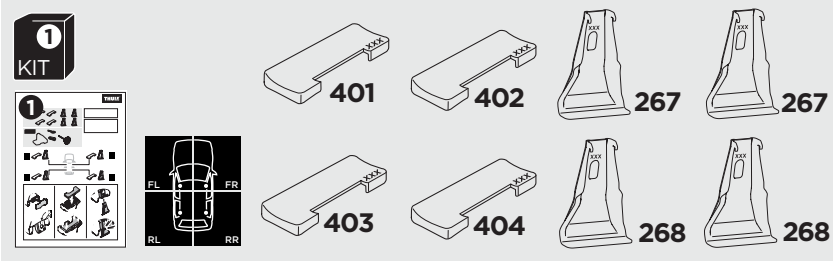


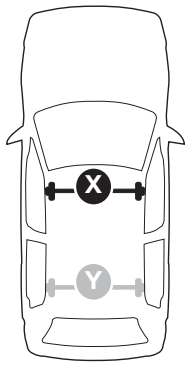
1

Kit 5103

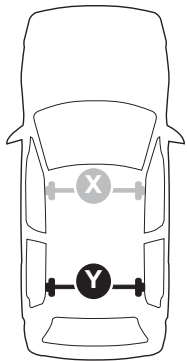
CHEVROLET Malibu, 4-dr Sedan, 16-

ISO 11154-E





THULE WingBar Evo	THULE WingBar Edge	THULE WingBar	THULE SquareBar	Evo X (scale)	Edge X (scale)
CHEVROLET Malibu, 4-dr Sedan, 16-				49,5	P
THULE ProBar	THULE SlideBar				X (mm/inch)
CHEVROLET Malibu, 4-dr Sedan, 16-				1146 mm / 45 1/8"	



THULE WingBar Evo	THULE WingBar Edge	THULE WingBar	THULE SquareBar	Evo Y (scale)	Edge Y (scale)
CHEVROLET Malibu, 4-dr Sedan, 16-				46,5	D
THULE ProBar	THULE SlideBar				Y (mm/inch)
CHEVROLET Malibu, 4-dr Sedan, 16-				1116 mm / 43 7/8"	

	W (mm/inch)	Z (mm/inch)
CHEVROLET Malibu, 4-dr Sedan, 16-	720 mm / 28 3/8"	260 mm / 10 1/4"

